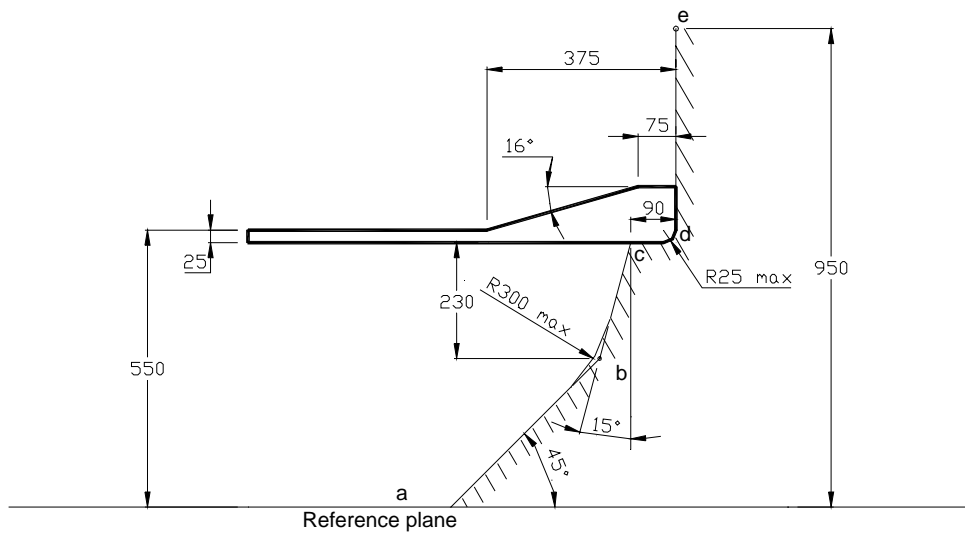
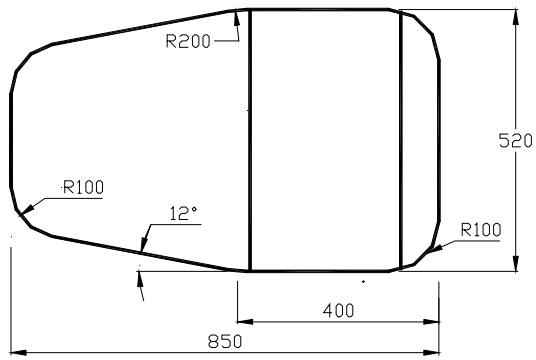
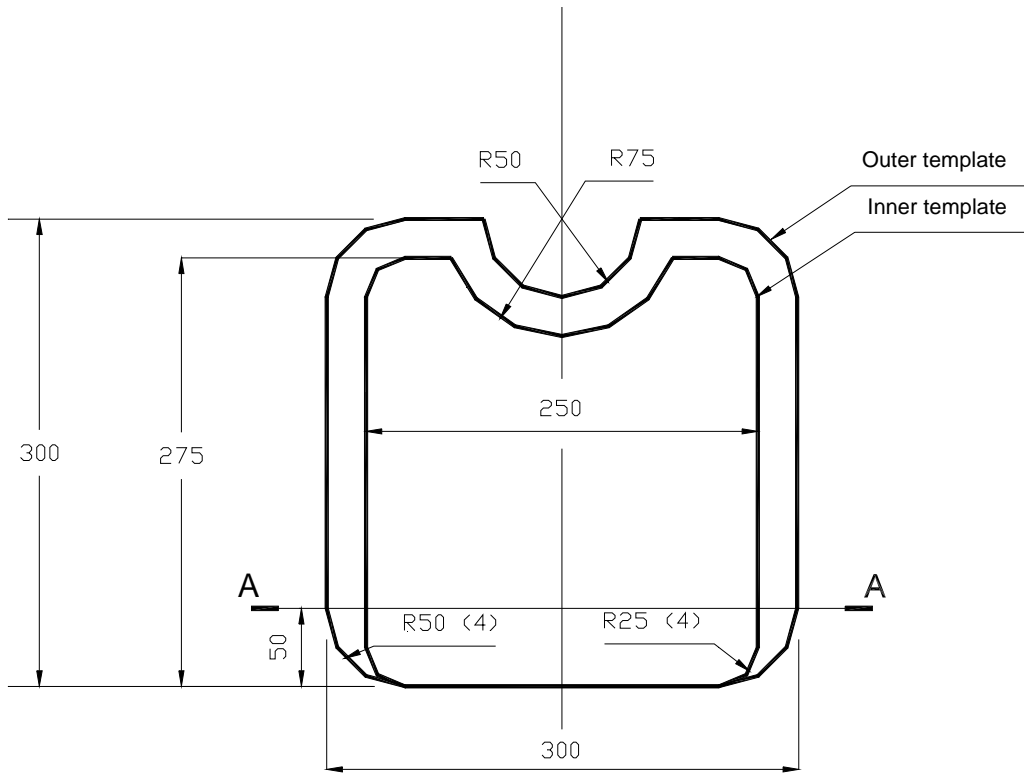


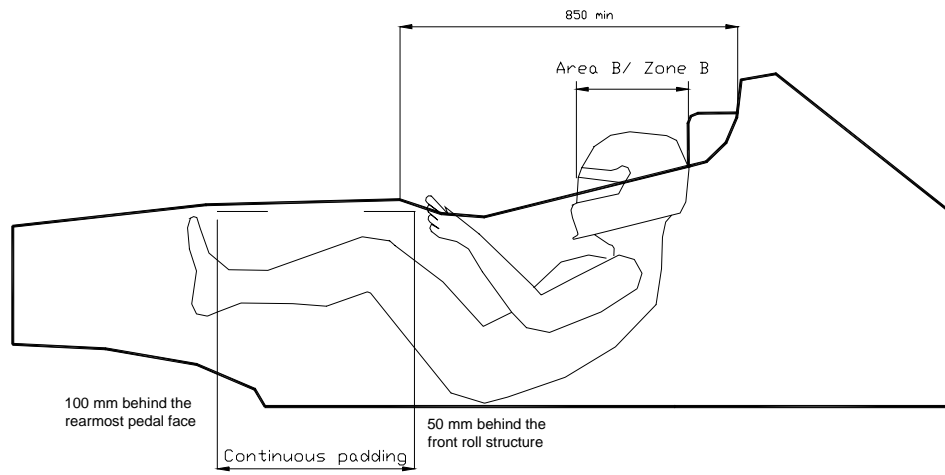
Drawing 1: Skid block dimensions



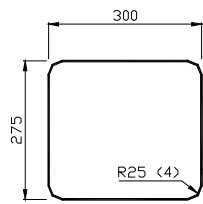
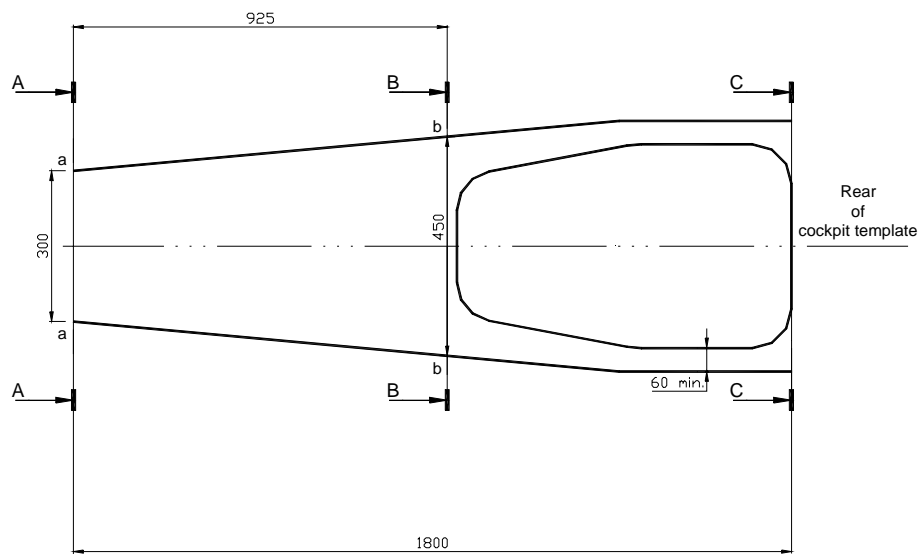
Drawing 2: Cockpit entry template



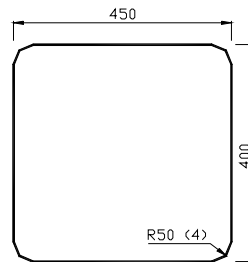
Drawing 3: Cockpit cross section template



Drawing 4: Cockpit padding

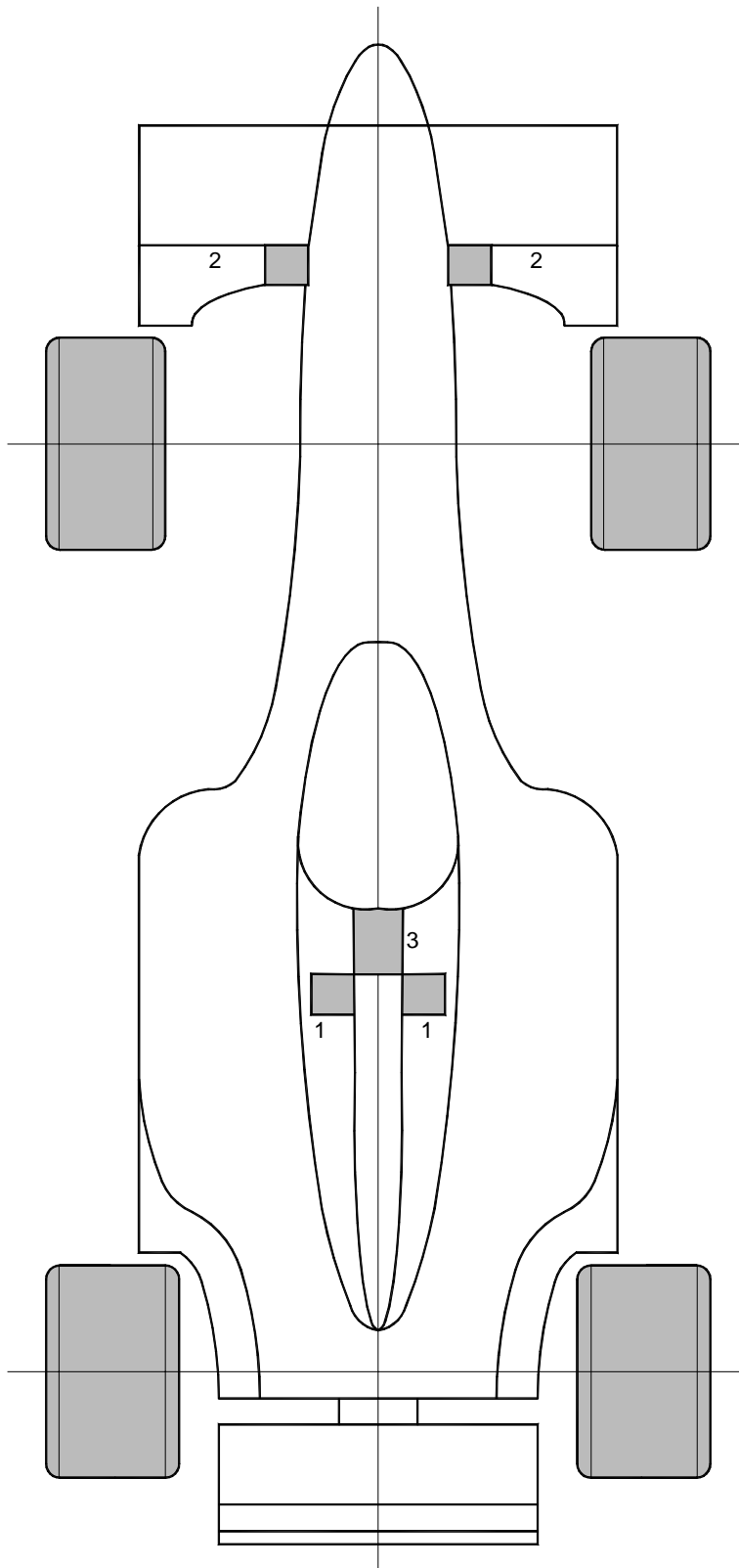


Minimum external dimensions at the section A-A



Minimum external dimensions at the section B-B

Drawing 5: Survival cell dimensions



Drawing 5: Standard on board camera positions